

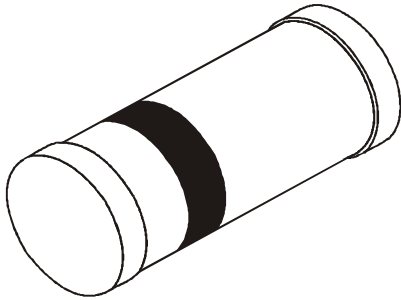
HIGH SPEED SILICON SWITCHING DIODES

CLL4148

CLL4448

SOD - 80C

Mini MELF (LL- 34)



Polarity: Cathode is indicated by a black band

Hermetically Sealed, Glass Silicon Diodes

ABSOLUTE MAXIMUM RATINGS

DESCRIPTION	SYMBOL	VALUE	UNIT
Peak Repetitive Reverse Voltage	V_{RRM}	100	V
Reverse Voltage (Continuous)	V_R	75	V
Average Rectified Forward Current	$I_F (av)$	150	mA
Forward Current (DC)	I_F	200	mA
Repetitive Peak Forward Current	I_{FRM}	450	mA
Non Repetitive Peak Surge Current	I_{FSM}	2000	mA
	I_{FSM}	500	mA
Power Dissipation up to $T_{amb}=25^\circ C$	P_{tot}	500	mW
Derating factor		2.85	mW/K
Operating & Storage Junction Temperature Range	T_j, T_{stg}	- 65 to +200	$^\circ C$

ELECTRICAL CHARACTERISTICS ($T_a=25^\circ C$ Unless Otherwise Specified)

DESCRIPTION	SYMBOL	TEST CONDITION	MIN	MAX	UNIT
Forward Voltage	V_F	$I_F=10mA$ CLL4148	0.62	1.0	V
		$I_F=5mA$ CLL4448		0.72	
		$I_F=100mA$ CLL4448		1.0	
Reverse Current	I_R	$V_R=20V$		25	nA
		$V_R=75V$		5.0	μA
		$V_R=20V, T_j=100^\circ C$, CLL4448		3.0	μA
		$V_R=20V, T_j=150^\circ C$		50	μA
Reverse Breakdown Voltage	V_{BR}	$I_R=100\mu A$	100		V

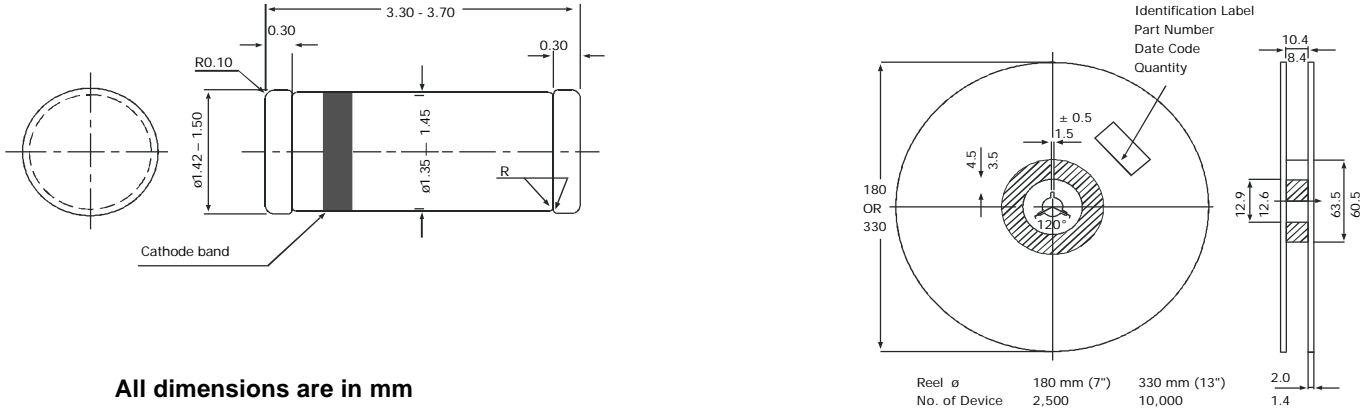
DYNAMIC CHARACTERISTICS

Diode Capacitance	C_d	$V_R=0V, f=1MHz$		4.0	pF
Forward Recovery Voltage	V_{fr}	$I_F=50mA, t_f=20ns$		2.5	V
Reverse Recovery Time	t_{rr}	$I_F=10mA, to I_R=60mA$ $R_L=100 \Omega$ Measured @ $I_R=1mA$		4.0	ns

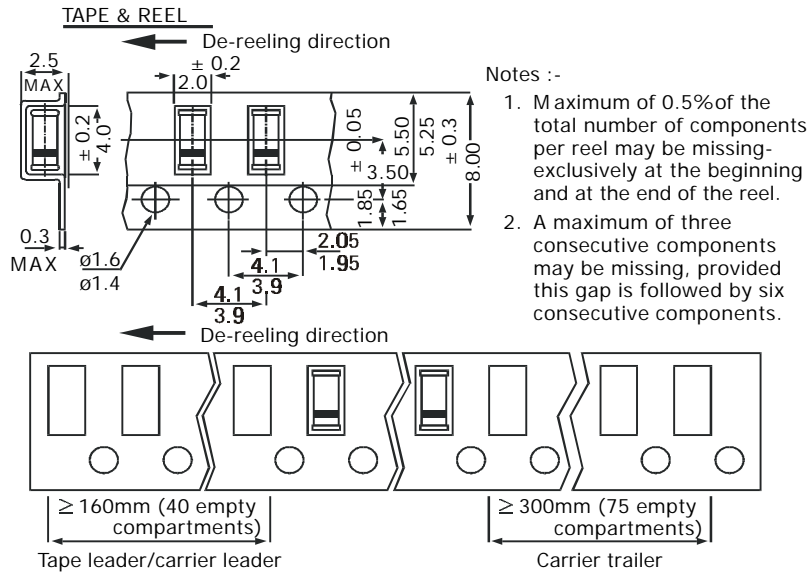
CLL4148
CLL4448

SOD - 80C
Mini MELF (LL- 34)

SOD 80C (LL-34) Mini MELF Hermetically Sealed Glass Package



All dimensions are in mm



Packing Detail

PACKAGE	STANDARD PACK		INNER CARTON BOX		OUTER CARTON BOX		
	Details	Net Weight/Qty	Size	Qty	Size	Qty	Gr Wt
SOD-80C T&R	2.5K/reel	100 gm/3K pcs	3" x 7.5" x 7.5"	10.0K	17" x 15" x 13.5"	160.0K	10 kgs
	10K/reel	400 gm/10K pcs	13" x 13" x 0.5"	10.0K	17" x 15" x 13.5"	300.0K	15 kgs

Disclaimer

The product information and the selection guides facilitate selection of the CDIL's Discrete Semiconductor Device(s) best suited for application in your product(s) as per your requirement. It is recommended that you completely review our Data Sheet(s) so as to confirm that the Device(s) meet functionality parameters for your application. The information furnished in the Data Sheet and on the CDIL Web Site/CD is believed to be accurate and reliable. CDIL however, does not assume responsibility for inaccuracies or incomplete information. Furthermore, CDIL does not assume liability whatsoever, arising out of the application or use of any CDIL product; neither does it convey any license under its patent rights nor rights of others. These products are not designed for use in life saving/support appliances or systems. CDIL customers selling these products (either as individual Discrete Semiconductor Devices or incorporated in their end products), in any life saving/support appliances or systems or applications do so at their own risk and CDIL will not be responsible for any damages resulting from such sale(s).

CDIL strives for continuous improvement and reserves the right to change the specifications of its products without prior notice.



CDIL is a registered Trademark of
Continental Device India Limited

C-120 Naraina Industrial Area, New Delhi 110 028, India.
Telephone + 91-11-2579 6150, 5141 1112 Fax + 91-11-2579 5290, 5141 1119
email@cdil.com www.cdilsemi.com